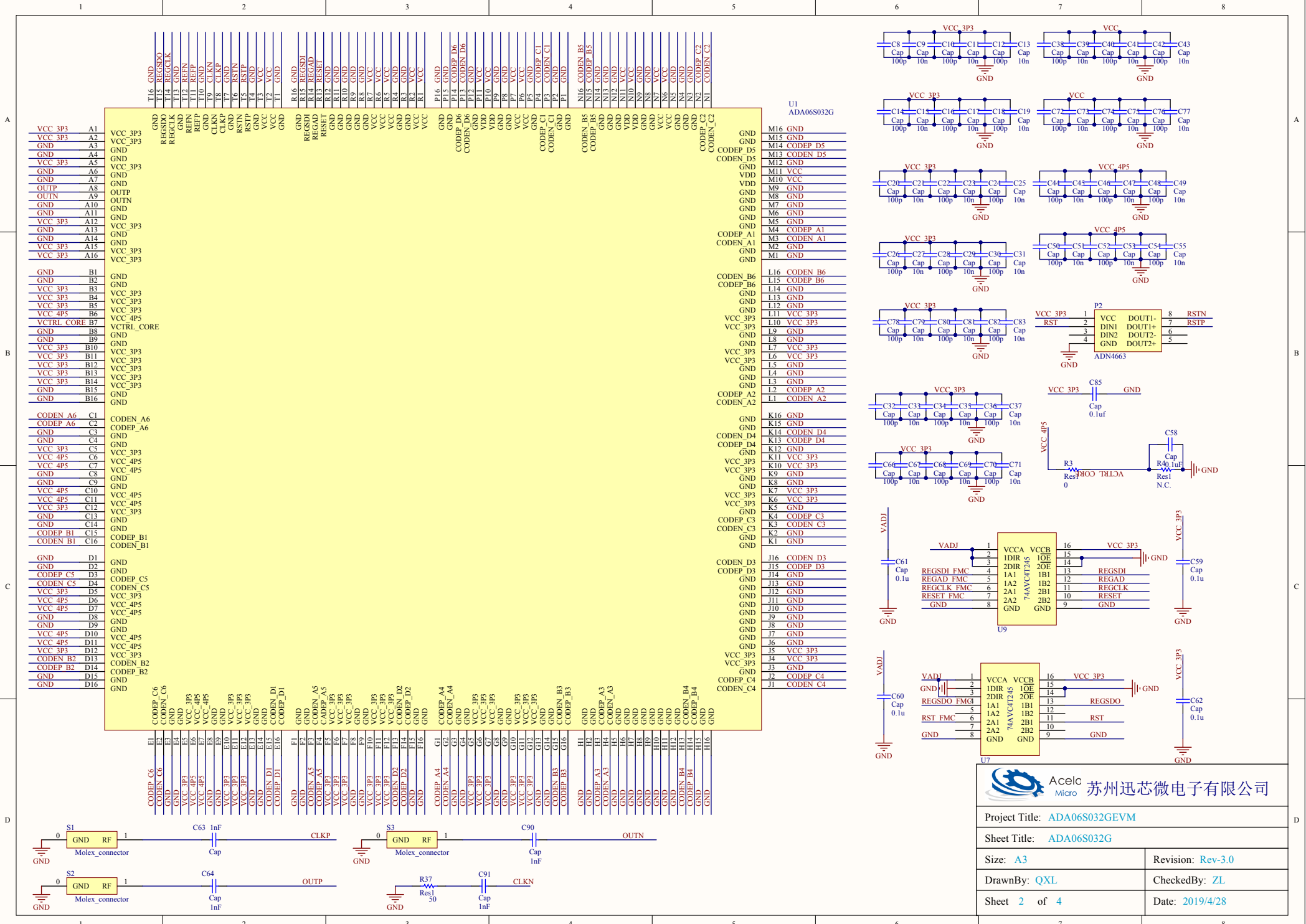
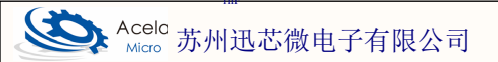
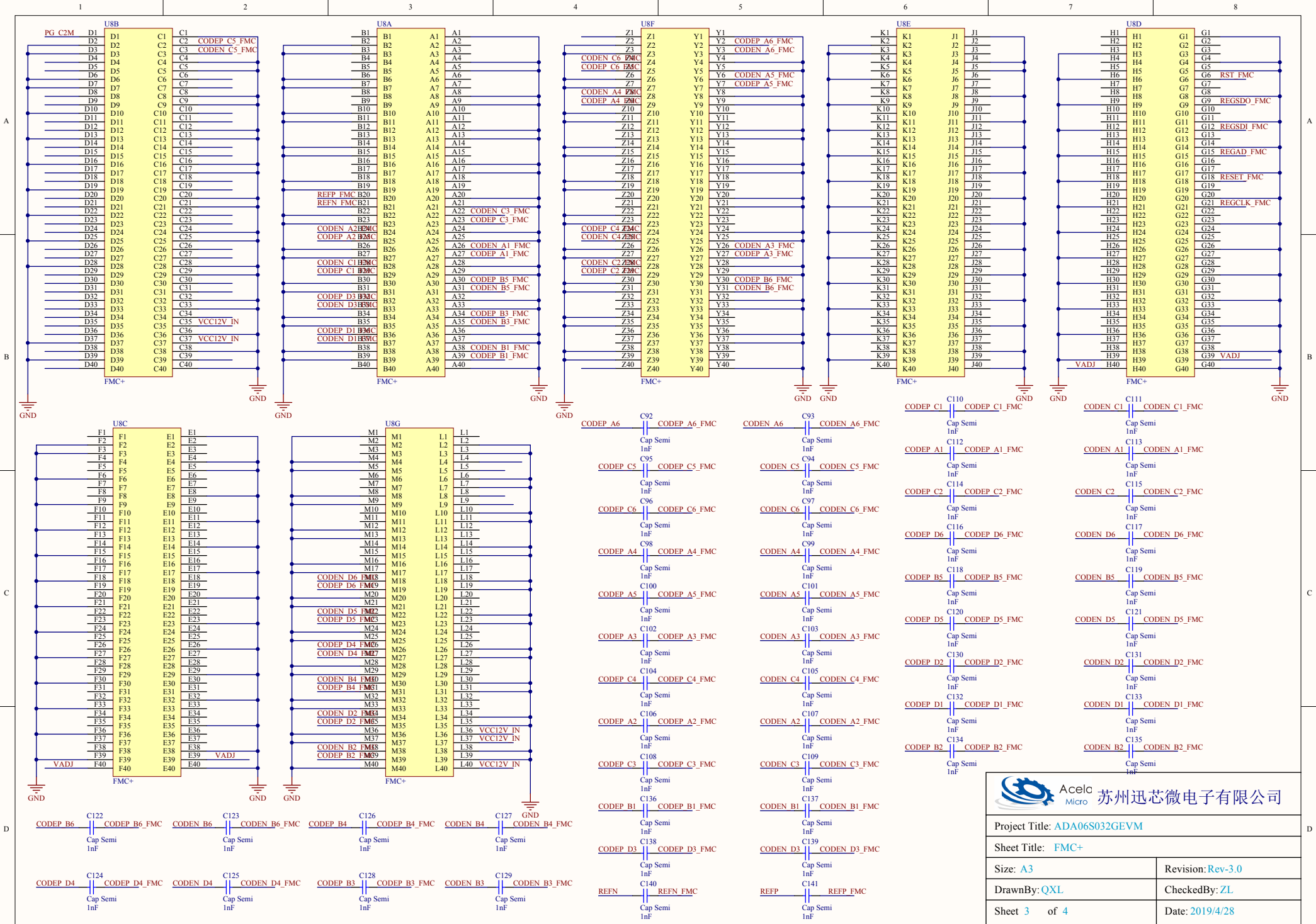


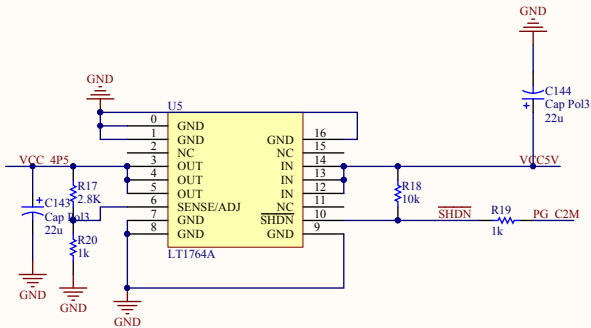
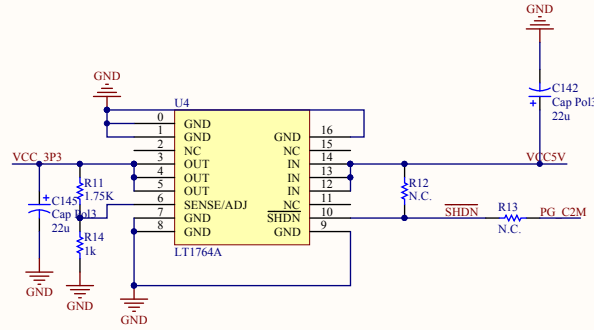
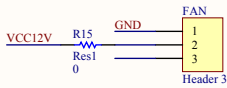
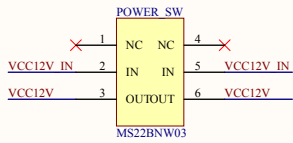
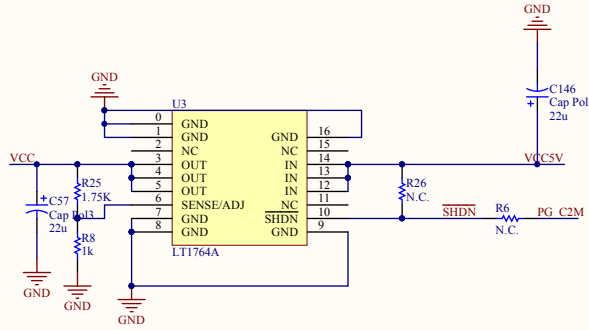
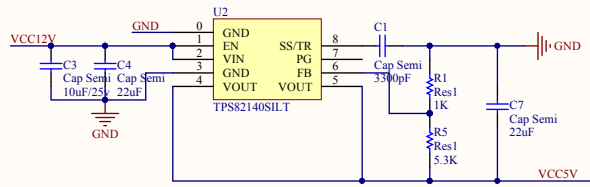
1	2	3	4	5	6	7	8
版本号	日期	修订记录		版本号	日期	修订记录	
Rev-3.0	2019/4/28	原理图模板变更					
A							A
B							B
C							C
D							D
						 Acelo Micro 苏州迅芯微电子有限公司 Project Title: ADA06S032GEVM Sheet Title: 1 Size: A3 Revision: Rev-3.0 DrawnBy: QXL CheckedBy: ZL Sheet 1 of 4 Date: 2019/4/28	
1	2	3	4	5	6	7	8



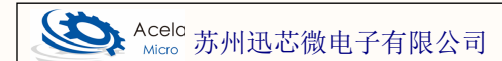
Project Title: ADA06S032GEVM	
Sheet Title: ADA06S032G	
Size: A3	Revision: Rev-3.0
DrawnBy: QXL	CheckedBy: ZL
Sheet 2 of 4	Date: 2019/4/28



Project Title: ADA06S032GEVM	
Sheet Title: FMC+	
Size: A3	Revision: Rev-3.0
DrawnBy: QXL	CheckedBy: ZL
Sheet 3 of 4	Date: 2019/4/28



电源部分左侧电阻只接R18和R19，其余空焊



Project Title: ADA06S032GEVM	
Sheet Title: POWER SUPPLY	
Size: A3	Revision: Rev-3.0
DrawnBy: QXL	CheckedBy: ZL
Sheet 4 of 4	Date: 2019/4/28